

# STAGNATION ZONES FOR $\mathcal{A}$ -HARMONIC FUNCTIONS ON CANONICAL DOMAINS

Vladimir M. Miklyukov

Antti Rasila

Matti Vuorinen





# STAGNATION ZONES FOR $\mathcal{A}$ -HARMONIC FUNCTIONS ON CANONICAL DOMAINS

Vladimir M. Miklyukov

Antti Rasila

Matti Vuorinen

**Vladimir M. Miklyukov, Antti Rasila and Matti Vuorinen:** *Stagnation zones for  $\mathcal{A}$ -harmonic functions on canonical domains*; Helsinki University of Technology, Institute of Mathematics, Research Reports A542 (2008).

**Abstract:** *We study stagnation zones of  $\mathcal{A}$ -harmonic functions on canonical domains in the Euclidean  $n$ -dimensional space. Phragmen-Lindelöf type theorems are proved.*

**AMS subject classifications:** 31C45, 35J65, 46E35

**Keywords:** stagnation zone,  $\mathcal{A}$ -harmonic function, Saint-Venant principle, Phragmén-Lindelöf principle

### Correspondence

miklyuk@mail.ru, antti.rasila@tkk.fi, vuorinen@utu.fi

ISBN 978-951-22-9254-7

ISSN 0784-3143

Helsinki University of Technology  
Faculty of Information and Natural Sciences  
Department of Mathematics and Systems Analysis  
P.O. Box 1100, FI-02015 TKK, Finland  
email:math@tkk.fi <http://math.tkk.fi/>

# 1 Introduction

In this article we investigate solutions of the  $\mathcal{A}$ -Laplace equation on canonical domains in the  $n$ -dimensional Euclidean space.

Suppose that  $D$  is a domain in  $\mathbb{R}^n$ , and let  $f: D \rightarrow \mathbb{R}$  be a function. For  $s > 0$ , a subset  $\Delta \subset D$  is called  $s$ -zone (stagnation zone with the deviation  $s$ ) of  $f$ , if there exists a constant  $C$  such that the difference between  $C$  and the function  $f$  is smaller than  $s$  on  $\Delta$ . We may, for example, consider difference in the sense of the Euclidean distance,

$$\|f(x) - C\|_{C(\Delta)} = \sup_{x \in \Delta} |f(x) - C| < s,$$

the  $L^p$ -norm

$$\|f(x) - C\|_{L^p(\Delta)} = \left( \int_{\Delta} |f(x) - C|^p d\mathcal{H}^n \right)^{1/p} < s,$$

or the Sobolev norm

$$\|f(x)\|_{W_p^1(\Delta)} = \left( \int_{\Delta} |\nabla f(x)|^p d\mathcal{H}^n \right)^{1/p} < s,$$

where  $\mathcal{H}^d$  is the  $d$ -dimensional Hausdorff measure in  $\mathbb{R}^n$ .

For discussion about the history of the question, recent results and applications, see [SS06, SS07].

Some estimates of stagnation zone sizes for solutions of the  $\mathcal{A}$ -Laplace equation on locally Lipschitz surfaces and behaviour of solutions in stagnation zones, were given in [Mik07]. In this paper we consider solutions of the  $\mathcal{A}$ -Laplace equation in subdomains of  $\mathbb{R}^n$  of a special form. In two-dimensional case, such domains are sectors and strips. In higher dimensions, they are conical and cylindrical regions. The special form of domains allows us to obtain more precise results.

Below we study stagnation zones of generalized solutions of the  $\mathcal{A}$ -Laplace equation

$$\operatorname{div} \mathcal{A}(x, \nabla f) = 0$$

(see [HKM93]) with boundary conditions of types (see definitions 1.7 and 1.11 below):

$$\langle \mathcal{A}(x, \nabla f), \bar{\mathbf{n}} \rangle = 0, \quad x \in \partial D \setminus G$$

and

$$f \langle \mathcal{A}(x, \nabla f), \bar{\mathbf{n}} \rangle = 0, \quad x \in \partial D \setminus G$$

on canonical domains in the Euclidean  $n$ -dimensional space, where  $G$  is a closed subset of  $\partial D$ . We will prove Phragmén-Lindelöf type theorems for solutions of the  $\mathcal{A}$ -Laplace equation with such boundary conditions.

## Canonical domains

Let  $n \geq 2$ . Fix an integer  $k$ ,  $1 \leq k \leq n$ , and set

$$d_k(x) = \left( \sum_{i=1}^k x_i^2 \right)^{1/2}.$$

We call the set

$$B_k(t) = \{x \in \mathbb{R}^n : d_k(x) < t\}$$

a  $k$ -ball and

$$\Sigma_k(t) = \{x \in \mathbb{R}^n : d_k(x) = t\}$$

a  $k$ -sphere in  $\mathbb{R}^n$ . In particular, the symbol  $\Sigma_k(0)$  denotes the  $k$ -sphere with the radius 0, i.e. the set

$$\Sigma_k(0) = \{x = (x_1, \dots, x_k, \dots, x_n) : x_{k+1} = \dots = x_n = 0\}.$$

For every  $0 < k < n$  we set

$$p_k(x) = \left( \sum_{j=k+1}^n x_j^2 \right)^{1/2}.$$

and

$$\Sigma_k^*(t) = \{x \in \mathbb{R}^n : p_k(x) = t\}, \quad t \geq 0.$$

Let  $0 < \alpha < \beta < \infty$  be fixed, and let

$$D_{\alpha,\beta}^k = \{x \in \mathbb{R}^n : \alpha < p_k(x) < \beta\}.$$

For  $k = n - 1$  we also assume that  $x_n > 0$ . Then for  $k = n - 1$  the  $D_{\alpha,\beta}^{n-1}$  is the a layer between two parallel hyperplanes, and for  $1 \leq k < n - 1$  the boundary of the domain  $D_{\alpha,\beta}^k$  consists of two coaxial cylindrical surfaces. The intersections  $\Sigma_k(t) \cap D_{\alpha,\beta}^k$  are precompact for all  $t > 0$ . Thus, the functions  $d_k(x)$  are *exhaustion functions* for  $D_{\alpha,\beta}^k$ .

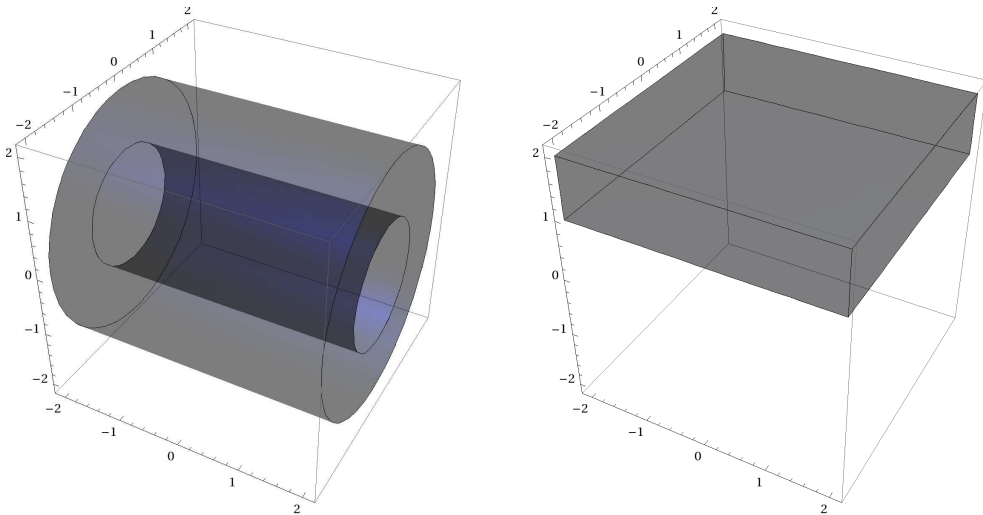


FIGURE:  $D_{1,2}^1$  (left) and  $D_{1,2}^2$  in  $\mathbb{R}^3$ .

## Structure conditions

Let  $D$  be a subdomain of  $\mathbb{R}^n$  and let

$$\mathcal{A}(x, \xi): \overline{D} \times \mathbb{R}^n \rightarrow \mathbb{R}^n$$

be a vector function such that for a.e.  $x \in \overline{D}$  the function

$$\mathcal{A}(x, \xi): \mathbb{R}^n \rightarrow \mathbb{R}^n$$

is defined and continuous with respect to  $\xi$ . We assume that the function

$$x \mapsto \mathcal{A}(x, \xi)$$

is measurable in the Lebesgue sense for all  $\xi \in \mathbb{R}^n$  and

$$\mathcal{A}(x, \lambda\xi) = \lambda |\lambda|^{p-2} \mathcal{A}(x, \xi), \quad \lambda \in \mathbb{R} \setminus \{0\}, \quad p \geq 1. \quad (1.1)$$

Suppose that for a.e.  $x \in D$  and for all  $\xi \in \mathbb{R}^n$  the following properties hold:

$$\nu_1 |\xi|^p \leq \langle \xi, \mathcal{A}(x, \xi) \rangle, \quad |\mathcal{A}(x, \xi)| \leq \nu_2 |\xi|^{p-1} \quad (1.2)$$

with  $p \geq 1$  and some constants  $\nu_1, \nu_2 > 0$ . We consider the equation

$$\operatorname{div} \mathcal{A}(x, \nabla f) = 0. \quad (1.3)$$

An important special case of (1.3) is the Laplace equation

$$\Delta f = \sum_{i=1}^n \frac{\partial^2 f}{\partial x_i^2} = 0.$$

As in [HKM93, Chapter 6], we call continuous weak solutions of the equation (1.3)  $\mathcal{A}$ -harmonic functions. However we should note that our definition of generalized solutions is slightly different from the definition given in [HKM93, p.56].

## Frequencies

Fix  $t \geq 0$  and  $p \geq 1$ . Let  $O$  be an open subset of  $\Sigma_k^*(t)$  (with respect to the relative topology of  $\Sigma_k^*(t)$ ), and let  $\mathcal{P}$  be a nonempty closed subset of  $\partial O$ . We let

$$\lambda_{p,\mathcal{P}}(O) = \inf_u \frac{\int_O |\nabla u|^p d\mathcal{H}^{n-1}}{\int_{\mathcal{P}} u^p d\mathcal{H}^{n-1}}, \quad (1.4)$$

where  $u \in \operatorname{Lip}_{\text{loc}}(O) \cap C^0(\overline{O})$  with

$$u|_{\mathcal{P}} = 0, \quad \text{and} \quad \langle \bar{\mathbf{n}}, \mathcal{A}(x, \nabla u) \rangle = 0, \quad \mathcal{H}^{n-2} \text{-a.e. in } \partial O \setminus \mathcal{P}. \quad (1.5)$$

Here  $\bar{\mathbf{n}}$  is the unit normal vector to  $\partial O$ . If  $\mathcal{P} = \partial O$  we call  $\lambda_p(O) \equiv \lambda_{p,\mathcal{P}}(O)$  the *first frequency* of the order  $p \geq 1$  of the set  $O$ . If  $\mathcal{P} \neq \partial O$  the quantity  $\lambda_{p,\mathcal{P}}(O)$  is the *third frequency*.

The *second frequency* is the following quantity:

$$\mu_p(O) = \sup_C \inf_u \frac{\int_O |\nabla u|^p d\mathcal{H}^{n-1}}{\int_O (u - C)^p d\mathcal{H}^{n-1}}, \quad (1.6)$$

where the supremum is taken over all constants  $C$  and  $u \in \text{Lip}_{\text{loc}}(O) \cap C^0(\bar{O})$ . See also Pólya and Szegő [PS51], Lax [Lax57].

## Generalized boundary conditions

Let  $\varphi: D \subset \mathbb{R}^n \rightarrow \mathbb{R}$  be a locally Lipschitz function. We denote by  $D_b(\varphi)$  the set of all points  $x \in D$  at which  $\varphi$  does not have the differential. Let  $U \subset D$  be a subset and let  $\partial'U = \partial U \setminus \partial D$  be its boundary with respect to  $D$ . If  $\partial'U$  is  $(\mathcal{H}^{n-1}, n-1)$ -rectifiable, then it has locally finite perimeter in the sense of De Giorgi and  $\mathcal{H}^{n-1}$ -almost everywhere on  $\partial U$ , a unit normal vector  $\bar{\mathbf{n}}$  exists [Fed69, Sections 3.2.14, 3.2.15].

Let  $D \subset \mathbb{R}^n$  be a domain and let  $G \subset \partial D$  be a subset of the boundary of  $D$ . Define the concept of a generalized solution of (1.3) with zero boundary conditions on  $\partial D \setminus G$ . A subset  $U \subset D$  is called *admissible*, if  $\bar{U} \cap \bar{G} = \emptyset$  and  $U$  has a  $(\mathcal{H}^{n-1}, n-1)$ -rectifiable boundary with respect to  $D$ .

Suppose that  $D$  is unbounded. Let  $G \subset \partial D$  be a set closed in  $\mathbb{R}^n \cup \{\infty\}$ . We denote by  $(G, D)$  the set of all subdomains  $U \subset D$  with  $\partial U \subset (D \cup (\partial D \setminus G))$  and  $(\mathcal{H}^{n-1}, n-1)$ -rectifiable boundaries  $\partial'U = \partial U \setminus \partial D$ .

**1.7 Definition.** We say that a locally Lipschitz function  $f: D \rightarrow \mathbb{R}$  is a generalized solution of (1.3) with the boundary condition

$$\langle \mathcal{A}(x, \nabla f), \bar{\mathbf{n}} \rangle = 0, \quad x \in \partial D \setminus G, \quad (1.8)$$

if for every subdomain  $U \in (G, D)$ ,

$$\mathcal{H}^{n-1}[\partial'U \cap D_b(f)] = 0, \quad (1.9)$$

and for every locally Lipschitz function  $\varphi: \bar{U} \setminus G \rightarrow \mathbb{R}$  the following property holds:

$$\int_{\partial'U} \varphi \langle \mathcal{A}(x, \nabla f), \bar{\mathbf{n}} \rangle d\mathcal{H}^{n-1} = \int_U \langle \mathcal{A}(x, \nabla f), \nabla \varphi \rangle d\mathcal{H}^n. \quad (1.10)$$

Here  $\bar{\mathbf{n}}$  is the unit normal vector of  $\partial'U$  and  $d\mathcal{H}^n$  is the volume element on  $\mathbb{R}^n$ .



**1.11 Definition.** We say that a locally Lipschitz function  $f: D \rightarrow \mathbb{R}$  is a generalized solution of (1.3) with the boundary condition

$$f \langle \mathcal{A}(x, \nabla f), \bar{\mathbf{n}} \rangle = 0, \quad x \in \partial D \setminus G, \quad (1.12)$$

if for every subdomain  $U \in (G, D)$  with (1.9), and for every locally Lipschitz function  $\varphi: \bar{U} \setminus G \rightarrow \mathbb{R}$  the following property holds:

$$\int_{\partial U} \varphi f \langle \mathcal{A}(x, \nabla f), \bar{\mathbf{n}} \rangle d\mathcal{H}^{n-1} = \int_U \langle \mathcal{A}(x, \nabla f), \nabla(\varphi f) \rangle d\mathcal{H}^n. \quad (1.13)$$

In the case of a smooth boundary  $\partial D$ , and  $f \in C^2(D)$ , the relation (1.10) implies (1.3) with (1.8) everywhere on  $\partial D \setminus G$ . This requirement (1.13) implies (1.3) with (1.12) on  $\partial D \setminus G$ . See [Mik06, Section 7.2.1].

The surface integrals exist by (1.9). Indeed, this assumption guarantees that  $\nabla f(x)$  exists  $\mathcal{H}^{n-1}$ -a.e. on  $\partial U$ . The assumption that  $U \in (G, D)$  implies existence of a normal vector  $\bar{\mathbf{n}}$  for  $\mathcal{H}^{n-1}$ -a.e. points on  $\partial U$  [Fed69, Chapter 2 Section 3.2]. Thus, the scalar product  $\langle \mathcal{A}(x, \nabla f), \bar{\mathbf{n}} \rangle$  is defined and finite a.e. on  $\partial U$ .

## 2 Saint-Venant principle

In this section, we will prove the Saint-Venant principle for solutions of the  $\mathcal{A}$ -Laplace equation on canonical domains.

Let  $0 < k < n$ . Fix a domain  $D = D_{\alpha, \beta}^k \cap B_k(t_0)$  with  $t_0 > 0$  and  $0 < \alpha < \beta < \infty$ . We write  $\mathcal{P} = \{x \in \partial D : p_k(x) = \alpha\}$  and  $\mathcal{Q} = \{x \in \partial D : p_k(x) = \beta\}$  and  $G = \mathcal{P} \cup \mathcal{Q}$ . Let  $t, \tau \in (\alpha, \beta)$ ,  $t < \tau$ , and

$$\Delta^k(t, \tau) = \{x \in D : t < p_k(x) < \tau\}.$$

For  $s \geq 0$  we set

$$\sigma^k(s) = \{x \in \Delta^k(0, \infty) : p_k(x) = s\}.$$

**2.1 Theorem.** *Let  $\alpha < \tau' < \tau'' < \beta$ . If  $f: D \rightarrow \mathbb{R}$  is a generalized solution of (1.3) with the generalized boundary condition (1.8) on  $\partial D \setminus G$ , then the inequality*

$$I_1(t, \tau') + C_1(t)/\nu_1 \leq (I_1(t, \tau'') + C_1(t)/\nu_1) \exp \left[ - \frac{\nu_1}{\nu_2} \int_{\tau'}^{\tau''} \mu_p(\sigma^k(\tau)) d\tau \right]. \quad (2.2)$$

holds for all  $t \in (\alpha, \tau']$ .

If  $f: D \rightarrow \mathbb{R}$  is a generalized solution of (1.3) with the generalized boundary condition (1.12) then

$$I_1(t, \tau') + C_2(t)/\nu_1 \leq (I_1(t, \tau'') + C_2(t)/\nu_1) \exp \left[ - \frac{\nu_1}{\nu_2} \int_{\tau'}^{\tau''} \lambda_{p, Z_f(\tau)}^{1/p}(\sigma^k(\tau)) d\tau \right] \quad (2.3)$$

holds for all  $t \in (\alpha, \tau']$ . Here

$$I_1(t, \tau) = \int_{\Delta^k(t, \tau)} |\nabla f|^p d\mathcal{H}^n,$$

and

$$Z_f(\tau) = \{x \in \Sigma_k^*(\tau) \cap \Sigma_k(t_0) : \lim_{y \rightarrow x} f(y) = 0\}. \quad (2.4)$$

The inequalities of the form (2.3), (2.2) are called the Saint-Venant principle (see, for example, [OI77]).

*Proof. The case A.* At first we consider the case in which  $f$  is a generalized solution of (1.3) with the generalized boundary condition (1.12) on  $\partial D \setminus G$ . It is easy to see that a.e. on  $D_{\alpha, \beta}^k$ ,

$$|\nabla p_k(x)| = 1.$$

The domain  $\Delta^k(t, \tau)$  belongs to  $(G, D)$ . Let  $\varphi: \bar{U} \setminus G \rightarrow \mathbb{R}$  be a locally Lipschitz function. By (1.13) we have

$$\int_{\partial' \Delta^k(t, \tau)} \varphi f \langle \mathcal{A}(x, \nabla f), \bar{\mathbf{n}} \rangle d\mathcal{H}^{n-1} = \int_{\Delta^k(t, \tau)} \langle \mathcal{A}(x, \nabla f), \nabla(\varphi f) \rangle d\mathcal{H}^n.$$

But

$$\partial' \Delta^k(t, \tau) = \sigma^k(t) \cup \sigma^k(\tau).$$

For  $\varphi \equiv 1$ , we have by (1.2) and (1.13)

$$\begin{aligned} \nu_1 I_1(t, \tau) &\leq \int_{\Delta^k(t, \tau)} \langle \mathcal{A}(x, \nabla f), \nabla f \rangle d\mathcal{H}^n \\ &= \int_{\sigma^k(\tau)} f \langle \mathcal{A}(x, \nabla f), \nabla p_k(x) \rangle d\mathcal{H}^{n-1} \\ &\quad - \int_{\sigma^k(t)} f \langle \mathcal{A}(x, \nabla f), \nabla p_k(x) \rangle d\mathcal{H}^{n-1}, \end{aligned}$$

since  $\bar{\mathbf{n}} = \nabla p_k(x)$  for  $x \in \sigma^k(\tau)$  and  $\bar{\mathbf{n}} = -\nabla p_k(x)$  for  $x \in \sigma^k(t)$ . We obtain

$$\nu_1 I_1(t, \tau) + C_2(t) \leq \int_{\sigma^k(\tau)} f \langle \mathcal{A}(x, \nabla f), \nabla p_k(x) \rangle d\mathcal{H}^{n-1} \quad (2.5)$$

where

$$C_2(t) = \int_{\sigma^k(t)} f \langle \mathcal{A}(x, \nabla f), \nabla p_k(x) \rangle d\mathcal{H}^{n-1}.$$

Note that writing

$$\tilde{C}_2(\tau) = - \int_{\sigma^k(\tau)} f \langle \mathcal{A}(x, \nabla f), \nabla p_k(x) \rangle d\mathcal{H}^{n-1},$$

we have

$$\nu_1 I_1(t, \tau) + \tilde{C}_2(\tau) \leq - \int_{\sigma^k(t)} f \langle \mathcal{A}(x, \nabla f), \nabla p_k(x) \rangle d\mathcal{H}^{n-1}. \quad (2.6)$$

Next we will estimate the right side of (2.5). By (1.2) and the Hölder inequality

$$\begin{aligned} & \left| \int_{\sigma^k(\tau)} f \langle \mathcal{A}(x, \nabla f), \nabla p_k(x) \rangle d\mathcal{H}^{n-1} \right| \\ & \leq \int_{\sigma^k(\tau)} |f| |\mathcal{A}(x, \nabla f)| d\mathcal{H}^{n-1} \leq \nu_2 \int_{\sigma^k(\tau)} |f| |\nabla f|^{p-1} d\mathcal{H}^{n-1} \\ & \leq \nu_2 \left( \int_{\sigma^k(\tau)} |f|^p d\mathcal{H}^{n-1} \right)^{1/p} \left( \int_{\sigma^k(\tau)} |\nabla f|^p d\mathcal{H}^{n-1} \right)^{(p-1)/p}. \end{aligned}$$

We note that the surfaces  $\sigma^k(\tau)$  are parallel to  $\partial D_{\alpha, \beta}^k$ . By using (1.4) we may write

$$\int_{\sigma^k(\tau)} |f|^p d\mathcal{H}^{n-1} \leq \lambda_{p, Z_f(\tau)}^{-1}(\sigma^k(\tau)) \int_{\sigma^k(\tau)} |\nabla f|^p d\mathcal{H}^{n-1} \quad (2.7)$$

and

$$\left| \int_{\sigma^k(\tau)} f \langle \mathcal{A}(x, \nabla f), \nabla p_k(x) \rangle d\mathcal{H}^{n-1} \right| \leq \nu_2 \lambda_{p, Z_f(\tau)}^{-1/p}(\sigma^k(\tau)) \int_{\sigma^k(\tau)} |\nabla f|^p d\mathcal{H}^{n-1}.$$

By (2.5) and the Fubini theorem

$$\nu_1 I_1(t, \tau) + C_2(t) \leq \nu_2 \lambda_{p, Z_f(\tau)}^{-1/p}(\sigma^k(\tau)) \frac{dI_1}{d\tau}(t, \tau)$$

and

$$\frac{\nu_1}{\nu_2} \lambda_{p, Z_f(\tau)}^{1/p}(\sigma^k(\tau)) \leq \frac{dI_1}{d\tau}(t, \tau) \Big/ \left( I_1(t, \tau) + \frac{C_2(t)}{\nu_1} \right).$$

By integrating this differential inequality we have

$$\exp \left[ \frac{\nu_1}{\nu_2} \int_{\tau'}^{\tau''} \lambda_{p, Z_f(\tau)}^{1/p}(\sigma^k(\tau)) d\tau \right] \leq \frac{I_1(t, \tau'') + C_2(t)/\nu_1}{I_1(t, \tau') + C_2(t)/\nu_1}$$

for arbitrary  $\tau', \tau'' \in (\alpha, \beta)$  with  $\tau' < \tau''$ . We have shown that

$$I_1(t, \tau') + C_2(t)/\nu_1 \leq (I_1(t, \tau'') + C_2(t)/\nu_1) \exp \left[ -\frac{\nu_1}{\nu_2} \int_{\tau'}^{\tau''} \lambda_{p, Z_f(\tau)}^{1/p}(\sigma_p^k(\tau)) d\tau \right]. \quad (2.8)$$

*The case B.* Now we assume that  $f$  is a generalized solution of (1.3) with the boundary condition (1.8) on  $\partial D \setminus G$ . Fix  $t < \tau$ . By choosing  $\varphi \equiv 1$  in (1.10) we see that

$$\int_{\sigma^k(t) \cup \sigma^k(\tau)} \langle \mathcal{A}(x, \nabla f), \bar{\mathbf{n}} \rangle d\mathcal{H}^{n-1} = 0.$$

For an arbitrary constant  $C$ , we get from this and (1.10)

$$\int_{\sigma^k(t) \cup \sigma^k(\tau)} (f - C) \langle \mathcal{A}(x, \nabla f), \bar{\mathbf{n}} \rangle d\mathcal{H}^{n-1} = \int_{\Delta^k(t, \tau)} \langle \mathcal{A}(x, \nabla f), \nabla f \rangle d\mathcal{H}^n. \quad (2.9)$$

Thus

$$\int_{\Delta^k(t, \tau)} \langle \mathcal{A}(x, \nabla f), \nabla f \rangle d\mathcal{H}^n \leq C_1(t) + \int_{\sigma^k(\tau)} |f - C| |\mathcal{A}(x, \nabla p_k(x))| d\mathcal{H}^{n-1},$$

where

$$C_1(t) = \int_{\sigma^k(t)} |f - C| |\mathcal{A}(x, \nabla p_k(x))| d\mathcal{H}^{n-1},$$

or

$$\nu_1 I_1(t, \tau) + C_1(t) \leq \nu_2 \int_{\sigma^k(\tau)} |f - C| |\nabla f|^{p-1} d\mathcal{H}^{n-1}. \quad (2.10)$$

As above, we obtain

$$\begin{aligned} & \int_{\sigma^k(\tau)} |f - C| |\nabla f|^{p-1} d\mathcal{H}^{n-1} \\ & \leq \left( \int_{\sigma^k(\tau)} |f - C|^p d\mathcal{H}^{n-1} \right)^{1/p} \left( \int_{\sigma^k(\tau)} |\nabla f|^p d\mathcal{H}^{n-1} \right)^{(p-1)/p}. \end{aligned} \quad (2.11)$$

By using (1.6) we get

$$\left( \int_{\sigma^k(\tau)} |f - C_3|^p d\mathcal{H}^{n-1} \right)^{1/p} \leq \mu_p^{-1/p}(\sigma^k(\tau)) \left( \int_{\sigma^k(\tau)} |\nabla f|^p d\mathcal{H}^{n-1} \right)^{1/p}, \quad (2.12)$$

where  $C_3 = C_3(f)$  is the constant from (1.6). Then by (2.11) and (2.12),

$$\int_{\sigma^k(\tau)} |f - C_3| |\nabla f|^{p-1} d\mathcal{H}^{n-1} \leq \mu_p^{-1}(\sigma^k(\tau)) \int_{\sigma^k(\tau)} |\nabla f|^p d\mathcal{H}^{n-1},$$

and by (2.10) we have

$$\nu_1 I_1(t, \tau) + C_1(t) \leq \nu_2 \mu_p^{-1}(\sigma^k(\tau)) \int_{\sigma^k(\tau)} |\nabla f|^p d\mathcal{H}^{n-1}$$

or

$$\nu_1 I_1(t, \tau) + C_1(t) \leq \nu_2 \mu_p^{-1}(\sigma^k(\tau)) \frac{dI_1}{dt}(t, \tau).$$

By integrating this inequality we have shown that

$$I_1(t, \tau') + C_1(t)/\nu_1 \leq (I_1(t, \tau'') + C_1(t)/\nu_1) \exp \left[ -\frac{\nu_1}{\nu_2} \int_{\tau'}^{\tau''} \mu_p(\sigma^k(\tau)) d\tau \right]. \quad (2.13)$$

□

### 3 Stagnation zones

Next we apply the Saint-Venant principle to obtain information about stagnation zones of generalized solutions of the equation (1.3). We first consider zones with respect to the Sobolev norm. Other results of this type follow immediately from well-known imbedding theorems.

#### Stagnation zones with respect to the $W_p^1$ -norm

We rewrite (2.2) and (2.3) in another form. Fix  $D_{\alpha, \beta}^k$ . Let

$$p_k^*(x) = p_k(x) - \frac{\alpha + \beta}{2}.$$

For  $x \in D_{\alpha, \beta}^k$  and

$$\beta^* = \frac{\beta - \alpha}{2} \quad (3.1)$$

we have

$$-\beta^* < p_k^*(x) < \beta^*,$$

and we denote

$$D_{\beta^*}^{*,k} = \{x \in \mathbf{R}^n : -\beta^* < p_k^*(x) < \beta^*\}.$$

Let  $t_0 > 0$  and  $-\beta^* < \tau' \leq \tau'' < \beta^*$ . We write

$$\Delta^{*,k}(\tau', \tau'') = \{x \in B_k(t_0) : \tau' < p_k^*(x) < \tau''\} \quad (3.2)$$

and

$$I_2(\tau', \tau'') = \int_{\Delta^{*,k}(\tau', \tau'')} |\nabla f|^p d\mathcal{H}^n.$$

Let  $0 < \tau' < \tau'' < \beta^*$ . By (2.3) we have for  $t \in (-\tau, \tau)$

$$I_2(t, \tau') + C_4(t)/\nu_1 \leq (I_2(t, \tau'') + C_4(t)/\nu_1) \exp \left[ -\frac{\nu_1}{\nu_2} \int_{\tau'}^{\tau''} \lambda_{p, Z_f^*(\tau)}^{1/p}(\sigma^{*,k}(\tau)) d\tau \right],$$

where

$$Z_f^*(\tau) = \{x \in \Sigma_k(t_0) : p_k^*(x) = \tau \wedge \lim_{y \rightarrow x} f(y) = 0\}. \quad (3.3)$$

By choosing the estimate as in (2.6) we also have

$$\begin{aligned} I_2(-\tau', t) + \tilde{C}_4(t)/\nu_1 \\ \leq (I_2(-\tau'', t) + \tilde{C}_4(t)/\nu_1) \exp \left[ -\frac{\nu_1}{\nu_2} \int_{-\tau''}^{-\tau'} \lambda_{p, Z_f^*(\tau)}^{1/p}(\sigma^{*,k}(\tau)) d\tau \right], \end{aligned}$$

where

$$\sigma^{*,k}(s) = \{x \in \Delta^{*,k}(-\infty, \infty) : p_k^*(x) = s\}. \quad (3.4)$$

By adding these inequalities and noting that  $C_4(t) + \tilde{C}_4(t) = 0$  we obtain

$$\begin{aligned} I_2(-\tau', t) + I_2(t, \tau') &\leq (I_2(-\tau'', t) + I_2(t, \tau'')) \\ &\times \max \left\{ \exp \left[ -\frac{\nu_1}{\nu_2} \int_{-\tau''}^{-\tau'} \lambda_{p, Z_f^*(\tau)}^{1/p}(\sigma^{*,k}(\tau)) d\tau \right], \exp \left[ -\frac{\nu_1}{\nu_2} \int_{\tau'}^{\tau''} \lambda_{p, Z_f^*(\tau)}^{1/p}(\sigma^{*,k}(\tau)) d\tau \right] \right\}. \end{aligned}$$

Thus we have the estimate

$$\begin{aligned} I_2(-\tau', \tau') &\leq I_2(-\tau'', \tau'') \\ &\times \max \left\{ \exp \left[ -\frac{\nu_1}{\nu_2} \int_{-\tau''}^{-\tau'} \lambda_{p, Z_f^*(\tau)}^{1/p}(\sigma^{*,k}(\tau)) d\tau \right], \exp \left[ -\frac{\nu_1}{\nu_2} \int_{\tau'}^{\tau''} \lambda_{p, Z_f^*(\tau)}^{1/p}(\sigma^{*,k}(\tau)) d\tau \right] \right\}. \end{aligned} \quad (3.5)$$

Similarly, from (2.2) we obtain

$$\begin{aligned} I_2(-\tau', \tau') &\leq I_2(-\tau'', \tau'') \\ &\times \max \left\{ \exp \left[ -\frac{\nu_1}{\nu_2} \int_{-\tau''}^{-\tau'} \mu_p(\sigma^{*,k}(\tau)) d\tau \right], \exp \left[ -\frac{\nu_1}{\nu_2} \int_{\tau'}^{\tau''} \mu_p(\sigma^{*,k}(\tau)) d\tau \right] \right\}. \end{aligned} \quad (3.6)$$

From this we obtain the following theorem on stagnation  $W_p^1$ -zones:

**3.7 Theorem.** *Let  $t_0 > 0$ ,  $\beta > \alpha > 0$ , and let  $-\beta^* < \tau' \leq \tau'' < \beta^*$  where  $\beta^*$  is as in (3.1). If  $f$  is a solution of (1.3) on  $D = D_{\beta^*}^{*,k} \cap B_k(t_0)$  with*

the generalized boundary condition (1.8) on  $\partial D \setminus G$ , where  $G = \{x \in \partial D : p_k^*(x) = \pm\beta^*\}$  and

$$\max \left\{ \exp \left[ -\frac{\nu_1}{\nu_2} \int_{-\tau''}^{-\tau'} \mu_p(\sigma^{*,k}(\tau)) d\tau \right], \exp \left[ -\frac{\nu_1}{\nu_2} \int_{\tau'}^{\tau''} \mu_p(\sigma^{*,k}(\tau)) d\tau \right] \right\} < s^{1/p},$$

or a solution of (1.3) on  $D$  with the generalized boundary condition (1.12) on  $\partial D \setminus G$  and

$$\max \left\{ \exp \left[ -\frac{\nu_1}{\nu_2} \int_{-\tau''}^{-\tau'} \lambda_{p,Z_f^*}^{1/p}(\sigma^{*,k}(\tau)) d\tau \right], \exp \left[ -\frac{\nu_1}{\nu_2} \int_{\tau'}^{\tau''} \lambda_{p,Z_f^*}^{1/p}(\sigma^{*,k}(\tau)) d\tau \right] \right\} < s^{1/p},$$

then the subdomain  $\Delta^{*,k}(-\tau', \tau')$  is a  $s$ -zone with respect to the  $W_p^1$ -norm i.e.,

$$\int_{\Delta^{*,k}(-\tau', \tau')} |\nabla f|^p d\mathcal{H}^n < s,$$

where  $\Delta^{*,k}$  is as in (3.2).

## Stagnation zones with respect to the $L^p$ -norm

Let  $t_0 > 0$ ,  $\beta > \alpha > 0$ , and let  $-\beta^* < \tau' \leq \tau'' < \beta^*$  where  $\beta^*$  is as in (3.1).

Denote by  $C_5(k, p, \alpha, \beta, t_0)$  the best constant of the imbedding theorem from  $W_p^1(D_{\beta^*}^{*,k})$  to  $L^p(D_{\beta^*}^{*,k})$ , i.e. in the inequality

$$\|g - C\|_{L^p(D_{\beta^*}^{*,k})} \leq C_5(k, p, \alpha, \beta, t_0) \|g\|_{W_p^1(D_{\beta^*}^{*,k})}.$$

The domains  $D_{\beta^*}^{*,k} \cap B_k(t_0)$  are convex and such a constant  $C_5$  exists (see Maz'ya [Maz85] or [AF03, p.85]).

In this case we obtain from (3.5), (3.6)

$$\begin{aligned} & \|f - C\|_{L^p(\Delta^{*,k}(-\tau', \tau'))}^p \leq C_5^p(k, p, \beta^* - \tau'', \beta^* + \tau'', t_0) I_2(-\tau'', \tau'') \\ & \times \max \left\{ \exp \left[ -\frac{\nu_1}{\nu_2} \int_{-\tau''}^{-\tau'} \lambda_{p,Z_f^*}^{1/p}(\sigma^{*,k}(\tau)) d\tau \right], \exp \left[ -\frac{\nu_1}{\nu_2} \int_{\tau'}^{\tau''} \lambda_{p,Z_f^*}^{1/p}(\sigma^{*,k}(\tau)) d\tau \right] \right\}, \end{aligned} \quad (3.8)$$

and

$$\begin{aligned} & \|f - C\|_{L^p(\Delta_{\tau'}^{*,k})}^p \leq C_5^p(k, p, \beta^* - \tau'', \beta^* + \tau'', t_0) I_2(-\tau'', \tau'') \\ & \times \max \left\{ \exp \left[ -\frac{\nu_1}{\nu_2} \int_{-\tau''}^{-\tau'} \mu_p(\sigma^{*,k}(\tau)) d\tau \right], \exp \left[ -\frac{\nu_1}{\nu_2} \int_{\tau'}^{\tau''} \mu_p(\sigma^{*,k}(\tau)) d\tau \right] \right\}. \end{aligned} \quad (3.9)$$

These relations can be used to obtain information about stagnation zones with respect to the  $L^p$ -norm. Namely, we have:

**3.10 Theorem.** *If  $f$  is a solution of (1.3) on  $D = D_{\beta^*}^{*,k} \cap B_k(t_0)$  with the generalized boundary condition (1.8) (or (1.12)) on  $\partial D \setminus G$ , where  $G = \{x \in \partial D : p_k^*(x) = \pm\beta^*\}$ , and the right side of (3.8) (or (3.9)) is smaller than  $s > 0$ , then the domain  $\Delta^{*,k}(-\tau', \tau')$  is a stagnation zone with the deviation  $s^p$  in the sense of the  $L^p$ -norm on  $D$ .*

## Stagnation zones for bounded, uniformly continuous functions

Let  $t_0 > 0$ ,  $\beta > \alpha > 0$ , and let  $-\beta^* < \tau' \leq \tau'' < \beta^*$  where  $\beta^*$  is as in (3.1).

As above, denote by  $C_6(k, p, \alpha, \beta, t_0)$  the best constant of the imbedding theorem from  $W_p^1(D_{\beta^*}^{*,k})$  to  $C(D_{\beta^*}^{*,k})$ , i.e. in the inequality

$$\|g - C\|_{C(D_{\beta^*}^{*,k})} \leq C_6(k, p, \alpha, \beta, t_0) \|g\|_{W_p^1(D_{\beta^*}^{*,k})}. \quad (3.11)$$

A domain  $D_{\beta^*}^{*,k}$  is convex and hence (3.11) holds for  $p > n$  (see Maz'ya [Maz85] or [AF03, p.85]).

In this case from (3.5), (3.6) we obtain

$$\begin{aligned} & \|f - C\|_{C(\Delta^{*,k}(-\tau', \tau'))} \leq C_6^p(k, p, \beta^* - \tau', \beta^* + \tau', t_0) I_2(-\tau'', \tau'') \\ & \times \max \left\{ \exp \left[ -\frac{\nu_1}{\nu_2} \int_{-\tau''}^{-\tau'} \lambda_{p, Z_f^*(\tau)}^{1/p}(\sigma^{*,k}(\tau)) d\tau \right], \exp \left[ -\frac{\nu_1}{\nu_2} \int_{\tau'}^{\tau''} \lambda_{p, Z_f^*(\tau)}^{1/p}(\sigma^{*,k}(\tau)) d\tau \right] \right\}, \end{aligned} \quad (3.12)$$

and

$$\begin{aligned} & \|f - C\|_{C(\Delta^{*,k}(-\tau', \tau'))} \leq C_6^p(k, p, \beta^* - \tau', \beta^* + \tau', t_0) I_2(-\tau'', \tau'') \\ & \times \max \left\{ \exp \left[ -\frac{\nu_1}{\nu_2} \int_{-\tau''}^{-\tau'} \mu_p(\sigma^{*,k}(\tau)) d\tau \right], \exp \left[ -\frac{\nu_1}{\nu_2} \int_{\tau'}^{\tau''} \mu_p(\sigma^{*,k}(\tau)) d\tau \right] \right\}. \end{aligned} \quad (3.13)$$

These relations can be used to obtain theorems about stagnation zones for bounded uniformly continuous functions.

**3.14 Theorem.** *If  $f$  is a solution of (1.3),  $p > n$ , on  $D = D_{\beta^*}^{*,k} \cap B_k(t_0)$  with the generalized boundary condition (1.8) (or (1.12)) on  $\partial D \setminus G$  where  $G = \{x \in \partial D : p_k^*(x) = \pm\beta^*\}$ , and the right side of (3.12) (or (3.13)) is smaller than  $s > 0$ , then the domain  $\Delta^{*,k}(-\tau', \tau')$  is a stagnation zone with the deviation  $s$  in the sense of the norm  $\|\cdot\|_{C^0(\Delta^{*,k}(-\tau', \tau'))}$ .*

## 4 Other applications

Next we prove Phragmén-Lindelöf type theorems for the solutions of the  $\mathcal{A}$ -Laplace equation with boundary conditions (1.8) and (1.12).



## Estimates for $W_p^1$ -norms

Let  $t_0 > 0$ ,  $\beta > \alpha > 0$ , and let  $\beta^*$  is as in (3.1). First we will prove some estimates of the  $W_p^1$ -norm of a solution. Let  $f$  be a solution of (1.3) on  $D_{\beta^*}^{*,k}$  with the generalized boundary condition (1.8) on  $\partial D \setminus G$ . Fix  $0 < \tau' < \tau'' < \beta^*$  and estimate  $\|f\|_{W_p^1(\Delta^{*,k}(-\tau', \tau'))}$ .

Let  $\psi : [\tau', \tau''] \rightarrow (0, \infty)$  be a Lipschitz function such that

$$\psi(\tau') = 1, \quad \psi(\tau'') = 0. \quad (4.1)$$

We choose

$$\phi(t) = \begin{cases} 1 & \text{for } |t| < \tau', \\ \psi(|t|) & \text{for } \tau' \leq |t| \leq \tau''. \end{cases} \quad (4.2)$$

The function  $\varphi(x) = \phi(p_k^*(x))$  is admissible in Definition 1.7 for

$$U = \Delta^{*,k}(-\tau'', \tau'').$$

As in (2.9) we may by (1.10) write

$$\begin{aligned} & \int_{\sigma^{*,k}(-\tau'') \cup \sigma^{*,k}(\tau'')} \phi^p(p_k^*(x))(f - C) \langle \mathcal{A}(x, \nabla f), \bar{\mathbf{n}} \rangle d\mathcal{H}^{n-1} \\ &= \int_{\Delta^{*,k}(-\tau'', \tau'')} \langle \mathcal{A}(x, \nabla f), \nabla(\phi^p(p_k^*(x))(f - C)) \rangle d\mathcal{H}^n. \end{aligned}$$

By construction of  $\phi$ , (4.1) and (4.2), the surface integral is equal to zero, and we have

$$\begin{aligned} & \int_{\Delta^{*,k}(-\tau'', \tau'')} \phi^p(p_k^*(x)) \langle \mathcal{A}(x, \nabla f), \nabla f \rangle d\mathcal{H}^n \\ &= -p \int_{\Delta^{*,k}(-\tau'', \tau'')} \phi^{p-1}(p_k^*(x)) (f - C) \langle \mathcal{A}(x, \nabla f), \nabla \phi(p_k^*(x)) \rangle d\mathcal{H}^n. \end{aligned}$$

Thus by (1.2)

$$\begin{aligned} \nu_1 & \int_{\Delta^{*,k}(-\tau'', \tau'')} \phi^p(p_k^*(x)) |\nabla f|^p d\mathcal{H}^n \\ & \leq p\nu_2 \int_{\Delta^{*,k}(-\tau'', \tau'')} \phi^{p-1}(p_k^*(x)) |f - C| |\nabla f|^{p-1} |\nabla \phi(p_k^*(x))| d\mathcal{H}^n. \quad (4.3) \end{aligned}$$

Now we note that

$$|\nabla \phi(p_k^*(x))| = |\phi'(p_k^*(x))|$$

and by the Hölder inequality

$$\begin{aligned}
& \int_{\Delta^{*,k}(-\tau'',\tau'')} \phi^{p-1}(p_k^*(x)) |f - C| |\nabla f|^{p-1} |\nabla \phi(p_k^*(x))| d\mathcal{H}^n \\
&= \int_{\Delta^{*,k}(-\tau'',\tau'')} \phi^{p-1}(p_k^*(x)) |\nabla f|^{p-1} |\phi'(p_k^*(x))| |f - C| d\mathcal{H}^n \\
&\leq \left( \int_{\Delta^{*,k}(-\tau'',\tau'')} \phi^p(p_k^*(x)) |\nabla f|^p d\mathcal{H}^n \right)^{(p-1)/p} \\
&\quad \times \left( \int_{\Delta^{*,k}(-\tau'',\tau'')} |\phi'(p_k^*(x))|^p |f - C|^p d\mathcal{H}^n \right)^{1/p}
\end{aligned}$$

From this inequality and (4.3) we obtain

$$\nu_1^p \int_{\Delta^{*,k}(-\tau',\tau')} \phi^p(p_k^*(x)) |\nabla f|^p d\mathcal{H}^n \leq p^p \nu_2^p \int_{\Delta^{*,k}(-\tau'',\tau'')} |\phi'(p_k^*(x))|^p |f - C|^p d\mathcal{H}^n.$$

Because  $\phi(p_k^*(x)) \equiv 1$  on  $\Delta^{*,k}(-\tau',\tau')$  we have the following inequality:

$$\nu_1^p \int_{\Delta^{*,k}(-\tau',\tau')} |\nabla f|^p d\mathcal{H}^n \leq p^p \nu_2^p \int_{\Delta^{*,k}(-\tau'',\tau'') \setminus \Delta^{*,k}(-\tau',\tau')} |\psi'(p_k^*(x))|^p |f - C|^p d\mathcal{H}^n. \tag{4.4}$$

Next we will find

$$\min_{\psi} \int_{\Delta^{*,k}(-\tau'',\tau'') \setminus \Delta^{*,k}(-\tau',\tau')} |\psi'(p_k^*(x))|^p |f - C|^p d\mathcal{H}^n,$$

where the minimum is taken over all  $\psi$  in (4.2). We have

$$\begin{aligned}
& \int_{\Delta^{*,k}(-\tau'',\tau'') \setminus \Delta^{*,k}(-\tau',\tau')} |\psi'(p_k^*(x))|^p |f - C|^p d\mathcal{H}^n \\
&= \int_{-\tau''}^{-\tau'} |\psi'(\tau)|^p d\tau \int_{\sigma^{*,k}(\tau)} |f(x) - C|^p d\mathcal{H}^{n-1} \\
&\quad + \int_{\tau'}^{\tau''} |\psi'(\tau)|^p d\tau \int_{\sigma^{*,k}(\tau)} |f(x) - C|^p d\mathcal{H}^{n-1}
\end{aligned}$$

and

$$\begin{aligned}
\min_{\psi} \int_{\Delta^{*,k}(-\tau'',\tau'') \setminus \Delta^{*,k}(-\tau',\tau')} |\psi'(p_k^*(x))|^p |f(x) - C|^p d\mathcal{H}^n \\
\leq \min_{\psi} \int_{-\tau''}^{-\tau'} |\psi'(\tau)|^p d\tau \int_{\sigma^{*,k}(\tau)} |f(x) - C|^p d\mathcal{H}^{n-1} \\
+ \min_{\psi} \int_{\tau'}^{\tau''} |\psi'(\tau)|^p d\tau \int_{\sigma^{*,k}(\tau)} |f(x) - C|^p d\mathcal{H}^{n-1} \equiv A_1 + A_2. \quad (4.5)
\end{aligned}$$

Because by the Hölder inequality

$$\begin{aligned}
1 \leq \left( \int_{\tau'}^{\tau''} |\psi'(\tau)| d\tau \right)^p \leq \left[ \int_{\tau'}^{\tau''} |\psi'(\tau)|^p d\tau \int_{\sigma^{*,k}(\tau)} |f(x) - C|^p d\mathcal{H}^{n-1} \right] \\
\times \left[ \int_{\tau'}^{\tau''} d\tau \left( \int_{\sigma^{*,k}(\tau)} |f(x) - C|^p d\mathcal{H}^{n-1} \right)^{1/(1-p)} \right]^{p-1},
\end{aligned}$$

we have

$$\begin{aligned}
\left[ \int_{\tau'}^{\tau''} d\tau \left( \int_{\sigma^{*,k}(\tau)} |f(x) - C|^p d\mathcal{H}^{n-1} \right)^{1/(1-p)} \right]^{1-p} \\
\leq \int_{\tau'}^{\tau''} |\psi'(\tau)|^p d\tau \int_{\sigma^{*,k}(\tau)} |f(x) - C|^p d\mathcal{H}^{n-1},
\end{aligned}$$

and hence

$$A_2 \geq \left[ \int_{\tau'}^{\tau''} d\tau \left( \int_{\sigma^{*,k}(\tau)} |f(x) - C|^p d\mathcal{H}^{n-1} \right)^{1/(1-p)} \right]^{1-p}.$$

It is easy to see that here the equality holds for a special choice of  $\psi$ . Thus

$$A_2 = \left[ \int_{\tau'}^{\tau''} d\tau \left( \int_{\sigma^{*,k}(\tau)} |f(x) - C|^p d\mathcal{H}^{n-1} \right)^{1/(1-p)} \right]^{1-p}.$$

Similarly,

$$A_1 = \left[ \int_{-\tau''}^{-\tau'} d\tau \left( \int_{\sigma^{*,k}(\tau)} |f(x) - C|^p d\mathcal{H}^{n-1} \right)^{1/(1-p)} \right]^{1-p}.$$

From (4.5) we obtain

$$\begin{aligned}
\min_{\psi} & \int_{\Delta^{*,k}(-\tau'',\tau'') \setminus \Delta^{*,k}(-\tau',\tau')} |\psi'(p_k^*(x))|^p |f - C|^p d\mathcal{H}^n \\
& \leq \left[ \int_{-\tau''}^{-\tau'} d\tau \left( \int_{\sigma^{*,k}(\tau)} |f(x) - C|^p d\mathcal{H}^{n-1} \right)^{1/(1-p)} \right]^{1-p} \\
& \quad + \left[ \int_{\tau'}^{\tau''} d\tau \left( \int_{\sigma^{*,k}(\tau)} |f(x) - C|^p d\mathcal{H}^{n-1} \right)^{1/(1-p)} \right]^{1-p}.
\end{aligned}$$

By using (4.4) we obtain the inequality:

$$\begin{aligned}
p^{-p} \left( \frac{\nu_1}{\nu_2} \right)^p & \int_{\Delta^{*,k}(-\tau',\tau')} |\nabla f|^p d\mathcal{H}^n \\
& \leq \left[ \int_{-\tau''}^{-\tau'} d\tau \left( \int_{\sigma^{*,k}(\tau)} |f(x) - C|^p d\mathcal{H}^{n-1} \right)^{1/(1-p)} \right]^{1-p} \\
& \quad + \left[ \int_{\tau'}^{\tau''} d\tau \left( \int_{\sigma^{*,k}(\tau)} |f(x) - C|^p d\mathcal{H}^{n-1} \right)^{1/(1-p)} \right]^{1-p},
\end{aligned}$$

where  $C$  is an arbitrary constant. From this we obtain

$$\begin{aligned}
\int_{\Delta^{*,k}(-\tau',\tau')} |\nabla f|^p d\mathcal{H}^n & \leq C_7 \max \left\{ \left[ \int_{-\tau''}^{-\tau'} d\tau \left( \int_{\sigma^{*,k}(\tau)} |f(x) - C|^p d\mathcal{H}^{n-1} \right)^{1/(1-p)} \right]^{1-p}, \right. \\
& \quad \left. \left[ \int_{\tau'}^{\tau''} d\tau \left( \int_{\sigma^{*,k}(\tau)} |f(x) - C|^p d\mathcal{H}^{n-1} \right)^{1/(1-p)} \right]^{1-p} \right\} \quad (4.6)
\end{aligned}$$

where  $C_7 = 2p^p(\nu_2/\nu_1)^p$ .

Similarly, for solutions of the  $\mathcal{A}$ -Laplace equation with the boundary condition (1.12) we may prove that

$$\begin{aligned}
p^{-p} \left( \frac{\nu_1}{\nu_2} \right)^p & \int_{\Delta^{*,k}(-\tau',\tau')} |\nabla f|^p d\mathcal{H}^n \leq \left[ \int_{-\tau''}^{-\tau'} d\tau \left( \int_{\sigma^{*,k}(\tau)} |f(x)|^p d\mathcal{H}^{n-1} \right)^{1/(1-p)} \right]^{1-p} \\
& \quad + \left[ \int_{\tau'}^{\tau''} d\tau \left( \int_{\sigma^{*,k}(\tau)} |f(x)|^p d\mathcal{H}^{n-1} \right)^{1/(1-p)} \right]^{1-p}.
\end{aligned}$$

It follows that

$$\int_{\Delta^{*,k}(-\tau',\tau')} |\nabla f|^p d\mathcal{H}^n \leq C_7 \max \left\{ \left[ \int_{-\tau''}^{-\tau'} d\tau \left( \int_{\sigma^{*,k}(\tau)} |f(x)|^p d\mathcal{H}^{n-1} \right)^{1/(1-p)} \right]^{1-p}, \right. \\ \left. \left[ \int_{\tau'}^{\tau''} d\tau \left( \int_{\sigma^{*,k}(\tau)} |f(x)|^p d\mathcal{H}^{n-1} \right)^{1/(1-p)} \right]^{1-p} \right\}. \quad (4.7)$$

## Phragmén-Lindelöf type theorems I

We prove Phragmén-Lindelöf type theorems for cylindrical domains. Let  $k = n - 1$  and fix  $t_0 > 0$ . Consider the domain

$$D = B_k(t_0) = \{x = (x_1, \dots, x_{n-1}, x_n) \in \mathbb{R}^n : d_{n-1}(x) < t_0\}.$$

Let  $f_0: D \rightarrow \mathbb{R}$  be a generalized solution of (1.3) with (1.1) and (1.2) satisfying the boundary condition (1.8) on  $\Sigma_{n-1}(t_0)$ .

Fix  $\beta > \alpha > 0$ , and let  $\beta^*$  be as in (3.1). Let  $f(x) = f_0(x - \beta^* e_n)$ , where  $e_n$  is the  $n$ :th unit coordinate vector, and let  $0 < \tau' < \tau'' < \beta^* < \infty$ . By (4.6)

$$\int_{\Delta^{*,k}(-\tau'',\tau')} |\nabla f|^p d\mathcal{H}^n \leq C_7 \max \left\{ \left[ \int_{-\tau''-1}^{-\tau''} d\tau \left( \int_{\sigma^{*,n-1}(\tau)} |f(x) - C|^p d\mathcal{H}^{n-1} \right)^{1/(1-p)} \right]^{1-p}, \right. \\ \left. \left[ \int_{\tau''}^{\tau''+1} d\tau \left( \int_{\sigma^{*,n-1}(\tau)} |f(x) - C|^p d\mathcal{H}^{n-1} \right)^{1/(1-p)} \right]^{1-p} \right\}.$$

By using (3.6) we obtain from this the inequality:

$$I_2(-\tau',\tau') \leq C_7 \max \left\{ \left[ \int_{-\tau''-1}^{-\tau''} d\tau \left( \int_{\sigma^{*,n-1}(\tau)} |f(x) - C|^p d\mathcal{H}^{n-1} \right)^{1/(1-p)} \right]^{1-p}, \right. \\ \left. \left[ \int_{\tau''}^{\tau''+1} d\tau \left( \int_{\sigma^{*,n-1}(\tau)} |f(x) - C|^p d\mathcal{H}^{n-1} \right)^{1/(1-p)} \right]^{1-p} \right\} \\ \times \max \left\{ \exp \left[ -\frac{\nu_1}{\nu_2} \int_{-\tau''}^{-\tau'} \mu_p(\sigma^{*,n-1}(\tau)) d\tau \right], \exp \left[ -\frac{\nu_1}{\nu_2} \int_{\tau'}^{\tau''} \mu_p(\sigma^{*,n-1}(\tau)) d\tau \right] \right\}.$$

We observe that in this case

$$\mu_p(\sigma^{*,n-1}(\tau)) \equiv \mu_p(\sigma^{n-1}(0)), \quad (4.8)$$

and hence

$$\int_{\tau'}^{\tau''} \mu_p(\sigma^{*,n-1}(\tau)) d\tau = \mu_p(\sigma^{n-1}(0))(\tau'' - \tau').$$

It follows that

$$\begin{aligned}
I_2(-\tau', \tau') \leq C_7 \max & \left\{ \left[ \int_{-\tau''-1}^{-\tau''} d\tau \left( \int_{\sigma^{*,n-1}(\tau)} |f(x) - C|^p d\mathcal{H}^{n-1} \right)^{1/(1-p)} \right]^{1-p}, \right. \\
& \left. \left[ \int_{\tau''}^{\tau''+1} d\tau \left( \int_{\sigma^{*,n-1}(\tau)} |f(x) - C|^p d\mathcal{H}^{n-1} \right)^{1/(1-p)} \right]^{1-p} \right\} \\
& \times \exp \left[ -\frac{\nu_1}{\nu_2} \mu_p(\sigma^{n-1}(0))(\tau'' - \tau') \right]. \quad (4.9)
\end{aligned}$$

By letting  $\beta, \tau'' \rightarrow +\infty$  we obtain the following statement:

**4.10 Theorem.** *Let  $t_0 > 0$ ,  $f: B_{n-1}(t_0) \rightarrow \mathbb{R}$  be a generalized solution of (1.3) with (1.1) and (1.2) satisfying the boundary condition (1.8) on  $\Sigma_{n-1}(t_0)$ . If for a constant  $C$  the right side of (4.9) goes to 0 as  $\tau'' \rightarrow \infty$ , then  $f \equiv \text{const}$  on the cylinder  $B_{n-1}(t_0)$ .*

Similarly for a solution  $f$  of (1.3) with (1.1) and (1.2), satisfying the boundary condition (1.12) we may write

$$\begin{aligned}
I_2(-\tau', \tau') \leq C_7 \max & \left\{ \left[ \int_{-\tau''-1}^{-\tau''} d\tau \left( \int_{\sigma^{*,n-1}(\tau)} |f(x)|^p d\mathcal{H}^{n-1} \right)^{1/(1-p)} \right]^{1-p}, \right. \\
& \left. \left[ \int_{\tau''}^{\tau''+1} d\tau \left( \int_{\sigma^{*,n-a}(\tau)} |f(x)|^p d\mathcal{H}^{n-1} \right)^{1/(1-p)} \right]^{1-p} \right\} \\
& \times \max \left\{ \exp \left[ -\frac{\nu_1}{\nu_2} \int_{-\tau''}^{-\tau'} \lambda_{p, Z_f^*(\tau)}^{1/p}(\sigma^{*,n-1}(\tau)) d\tau \right], \exp \left[ -\frac{\nu_1}{\nu_2} \int_{\tau'}^{\tau''} \lambda_{p, Z_f^*(\tau)}^{1/p}(\sigma^{*,n-1}(\tau)) d\tau \right] \right\}. \quad (4.11)
\end{aligned}$$

However here we do not have any identity similar to (4.8). We have:

**4.12 Theorem.** *Let  $t_0 > 0$ , and let  $f: B_{n-1}(t_0) \rightarrow \mathbb{R}$  be a generalized solution of (1.3) with (1.1) and (1.2) satisfying the boundary condition (1.12) on  $\Sigma_{n-1}(t_0)$ . If the right side of (4.11) tends to 0 as  $\tau'' \rightarrow \infty$ , then  $f \equiv 0$  on the cylinder  $B_{n-1}(t_0)$*

If  $f(x) = 0$  everywhere on the boundary  $\Sigma_{n-1}(t_0)$  of the cylinder, then an identity similar to (4.8) holds in the following form:

$$\lambda_p^{1/p}(\sigma^{*,n-1}(\tau)) \equiv \lambda_p^{1/p}(\sigma^{n-1}(0))(\lambda). \quad (4.13)$$

As above, we find

$$\begin{aligned}
I_2(-\tau', \tau') \leq C_7 \max & \left\{ \left[ \int_{-\tau''-1}^{-\tau''} d\tau \left( \int_{\sigma^{*,n-1}(\tau)} |f(x)|^p d\mathcal{H}^{n-1} \right)^{1/(1-p)} \right]^{1-p}, \right. \\
& \left. \left[ \int_{\tau''}^{\tau''+1} d\tau \left( \int_{\sigma^{*,n-1}(\tau)} |f(x)|^p d\mathcal{H}^{n-1} \right)^{1/(1-p)} \right]^{1-p} \right\} \\
& \times \exp \left[ -\frac{\nu_1}{\nu_2} \lambda_p^{1/p}(\sigma^{n-1}(0))(\tau'' - \tau') \right]. \quad (4.14)
\end{aligned}$$

Thus we obtain:

**4.15 Corollary.** *Let  $t_0 > 0$ , and let  $f: B_{n-1}(t_0) \rightarrow \mathbb{R}$  be a generalized solution of (1.3) with (1.1) and (1.2) satisfying the boundary condition  $f = 0$  on  $\Sigma_{n-1}(t_0)$ . If the right side of (4.14) tends to 0 as  $\tau'' \rightarrow \infty$ , then  $f \equiv \text{const}$  on the cylinder  $B_{n-1}(t_0)$*

See also Miklyukov [Mik81].

## Phragmén-Lindelöf type theorems II

We prove Phragmén-Lindelöf type theorems for canonical domains of an arbitrary form. Let  $1 \leq k < n - 1$  and let  $t_0 > 0$  be fixed. We consider a domain

$$D = B_k(t_0) = \{x = (x_1, \dots, x_k, x_{k+1}, \dots, x_n) : d_k(x) < t_0\}.$$

Let  $f$  be a generalized solution of (1.3) with (1.1) and (1.2) satisfying the boundary condition (1.8) on

$$\Sigma_k(t_0) = \{x \in \mathbb{R}^n : d_k(x) < t_0\}.$$

Fix  $\tau_0 > 0$ . Let  $\tau_0 < \tau' < \tau'' < \infty$ . By (4.6) we may write

$$\int_{D_{0,\tau'}^k} |\nabla f|^p d\mathcal{H}^n \leq C_8 \left[ \int_{\tau'}^{\tau''} d\tau \left( \int_{\sigma^k(\tau)} |f(x) - C|^p d\mathcal{H}^{n-1} \right)^{1/(1-p)} \right]^{1-p},$$

where  $C_8 = C_7/2$ . As in (3.6) we obtain from (2.2) the estimate

$$\int_{D_{0,\tau_0}^k} |\nabla f|^p d\mathcal{H}^n \leq \int_{D_{0,\tau'}^k} |\nabla f|^p d\mathcal{H}^n \exp \left[ -\frac{\nu_1}{\nu_2} \int_{\tau_0}^{\tau'} \mu_p(\sigma^k(\tau)) d\tau \right].$$

By combining these inequalities we obtain

$$\int_{D_{0,\tau_0}^k} |\nabla f|^p d\mathcal{H}^n \leq C_8 \left[ \int_{\tau'}^{\tau''} d\tau \left( \int_{\sigma^k(\tau)} |f(x) - C|^p d\mathcal{H}^{n-1} \right)^{1/(1-p)} \right]^{1-p} \\ \times \exp \left[ - \frac{\nu_1}{\nu_2} \int_{\tau_0}^{\tau'} \mu_p(\sigma^k(\tau)) d\tau \right]. \quad (4.16)$$

The inequality (4.16) holds for arbitrary constant  $C$  and every  $\tau'' > \tau'$ . Thus the following statement holds:

**4.17 Theorem.** *Let  $t_0 > 0$ , and let  $f: B_k(t_0) \rightarrow \mathbb{R}$  be a generalized solution of (1.3) with (1.1) and (1.2) satisfying the boundary condition (1.8) on  $\Sigma_k(t_0)$ ,  $1 \leq k < n - 1$ . If for a constant  $C$  the right side of (4.16) tends to 0 as  $\tau', \tau'' \rightarrow +\infty$ , then  $f \equiv \text{const}$  on  $B_k(t_0)$ .*

In the case if  $f$  satisfies (1.3) with (1.1), (1.2) and the boundary condition (1.12) on  $\Sigma_k(t_0)$ , then we have

$$\int_{D_{0,\tau_0}^k} |\nabla f|^p d\mathcal{H}^n \leq C_8 \left[ \int_{\tau'}^{\tau''} d\tau \left( \int_{\sigma^k(\tau)} |f(x)|^p d\mathcal{H}^{n-1} \right)^{1/(1-p)} \right]^{1-p} \\ \times \exp \left[ - \frac{\nu_1}{\nu_2} \int_{\tau_0}^{\tau'} \lambda_{p,Z_f(\tau)}^{1/p}(\sigma^k(\tau)) d\tau \right]. \quad (4.18)$$

We obtain:

**4.19 Theorem.** *Let  $t_0 > 0$ , and let  $f: B_k(t_0) \rightarrow \mathbb{R}$  be a generalized solution of (1.3) with (1.1) and (1.2) satisfying the boundary conditions (1.8) on  $\Sigma_k(t_0)$ ,  $1 \leq k < n - 1$ . If for a constant  $C$  the right side of (4.18) tends to 0 as  $\tau', \tau'' \rightarrow +\infty$ , then  $f \equiv 0$  on  $B_k(t_0)$ .*

## References

- [AF03] R. ADAMS and J. FOURNIER: *Sobolev spaces*, 2nd ed. Pure and Applied Mathematics 140, Academic Press, New York, 2003.
- [Fed69] H. FEDERER: *Geometric measure theory*, Die Grundlehren der math. Wiss. Vol. 153, Springer-Verlag, Berlin-Heidelberg-New York, 1969.
- [HKM93] J. HEINONEN, T. KILPELÄINEN and O. MARTIO: *Nonlinear potential theory of degenerate elliptic equations*, Clarendon Press, Oxford, 1993.



- [Lax57] P.D. LAX: *A Phragmén-Lindelöf Theorem in Harmonic Analysis and Its Application to Some Questions in the Theory of Elliptic Equations*, Communications on Pure and Applied Mathematics, v. X, 1957, 361–389.
- [Maz85] V.G. MAZ'YA: *Sobolev Spaces*. Springer Series in Soviet Mathematics, Springer-Verlag, Berlin-New York, 1985.
- [Mik81] V.M. MIKLYUKOV: *Asymptotic properties of subsolutions of quasilinear equations of elliptic type and mappings with bounded distortion* (in Russian). Mat. Sb. 11 (1980), 42–66; English transl. Math. USSR Sb. v. 39 (1981), 37–60.
- [Mik06] V.M. MIKLYUKOV: *Introduction to Nonsmooth Analysis* (in Russian), Volgograd, izd-vo VolGU, 2006, 284pp. ISBN 5-9669-0209-7.
- [Mik07] V.M. MIKLYUKOV: *Stagnation Zones of A-Solutions*, Memory I.N. Vekua, 2007, Georgian Mathematical Journal, Volume 14(3) (2007), 519–531.
- [OI77] O.A. OLEINIK and G.A. YOSIFIAN: *Boundary value problems for second order elliptic equations in unbounded domains and Saint-Venant's Principle*. Ann. Scuola Norm. Sup. Pisa Cl. Sci. (4), no. 2 (1977), 269–290.
- [PS51] G. PÓLYA and G. SZEGÖ: *Isoperimetric inequalities in mathematical physics*. Princeton University Press, Princeton, 1951.
- [SS06] Proceedings of the seminar 'Superslow processes', Issue 1, Ed. prof. V.M. Miklyukov, Volgograd State University, 2006, 184pp. ISBN 5-9669-0163-5.
- [SS07] Proceedings of the seminar 'Superslow processes', Issue 2, Ed. prof. V.M. Miklyukov, Volgograd State University, 2007, 172pp.



(continued from the back cover)

- A536 Toni Lassila  
Optimal damping set of a membrane and topology discovering shape optimization  
November 2007
- A535 Esko Valkeila  
On the approximation of geometric fractional Brownian motion  
October 2007
- A534 Jarkko Niiranen  
A priori and a posteriori error analysis of finite element methods for plate models  
October 2007
- A533 Heikki J. Tikanmäki  
Edgeworth expansion for the one dimensional distribution of a Lévy process  
September 2007
- A532 Tuomo T. Kuusi  
Harnack estimates for supersolutions to a nonlinear degenerate equation  
September 2007
- A531 Mika Juntunen, Rolf Stenberg  
An unconditionally stable mixed discontinuous Galerkin method  
November 2007
- A530 Mika Juntunen, Rolf Stenberg  
Nitsches Method for General Boundary Conditions  
October 2007
- A529 Mikko Parviainen  
Global higher integrability for nonlinear parabolic partial differential equations in nonsmooth domains  
September 2007
- A528 Kalle Mikkola  
Hankel and Toeplitz operators on nonseparable Hilbert spaces: further results  
August 2007

HELSINKI UNIVERSITY OF TECHNOLOGY INSTITUTE OF MATHEMATICS  
RESEARCH REPORTS

The reports are available at <http://math.tkk.fi/reports/> .

The list of reports is continued inside the back cover.

- A541 Teemu Lukkari  
Nonlinear potential theory of elliptic equations with nonstandard growth  
February 2008
- A540 Riikka Korte  
Geometric properties of metric measure spaces and Sobolev-type inequalities  
January 2008
- A539 Aly A. El-Sabbagh, F.A. Abd El Salam, K. El Nagaar  
On the Spectrum of the Symmetric Relations for The Canonical Systems of Differential Equations in Hilbert Space  
December 2007
- A538 Aly A. El-Sabbagh, F.A. Abd El Salam, K. El Nagaar  
On the Existence of the selfadjoint Extension of the Symmetric Relation in Hilbert Space  
December 2007
- A537 Teijo Arponen, Samuli Piipponen, Jukka Tuomela  
Kinematic analysis of Bricard's mechanism  
November 2007

ISBN 978-951-22-9254-7

ISSN 0784-3143